


PRODUCT SHEET

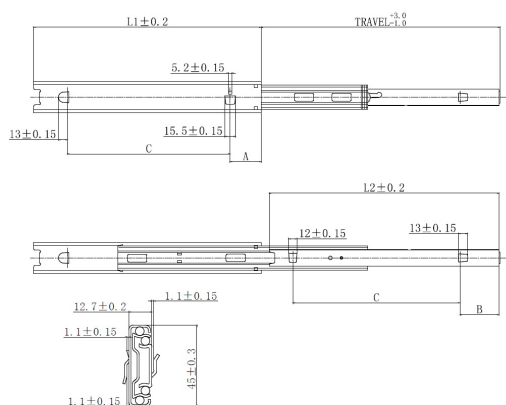
Description:

Drawer Slide ME4500, 350mm Bayonet Fix, D=256mm, Black ZP

Item number:

16.13.307-2

| Units | Box | Carton | HS Code | Barcode |
|-------|-----|--------|------------|---|
| Pair | 1 | 10 | 8302420090 |  5704866107167 |



| L1 | L2 | TRAVEL | A | B | C |
|-----|-----|--------|----|----|-----|
| 300 | 296 | 300 | 45 | 58 | 206 |
| 350 | 346 | 350 | 45 | 58 | 256 |
| 400 | 396 | 400 | 45 | 58 | 256 |
| 450 | 446 | 450 | 45 | 58 | 306 |
| 500 | 496 | 500 | 45 | 58 | 356 |
| 550 | 546 | 550 | 45 | 58 | 406 |
| 600 | 596 | 600 | 45 | 58 | 456 |
| 650 | 646 | 650 | 45 | 58 | 506 |
| 700 | 696 | 700 | 45 | 58 | 556 |

SISO A/S

Mileparken 11
DK-2740 Skovlunde
Denmark
VAT: 24786013

Phone +45 45 830 900

www.siso.dk
siso@siso.dk

Danske Bank
Nytorv Branch
Copenhagen
SWIFT: DABADKKK

Account no.
4180 3112 112936
IBAN Account
DK7230003112112936